



Technical Specification Sheet  
**Starworker**  
[1200kg x 4m]

The 1.2t capacity Starworker trailer crane has been developed for restricted access lifting applications where mobile cranes are too large or too costly.

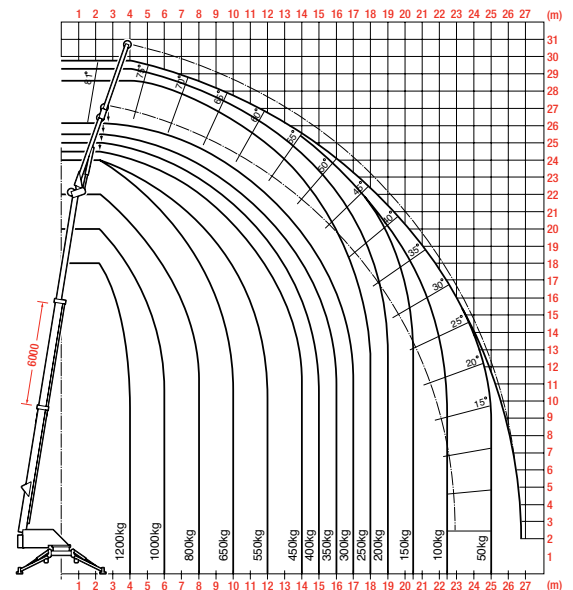
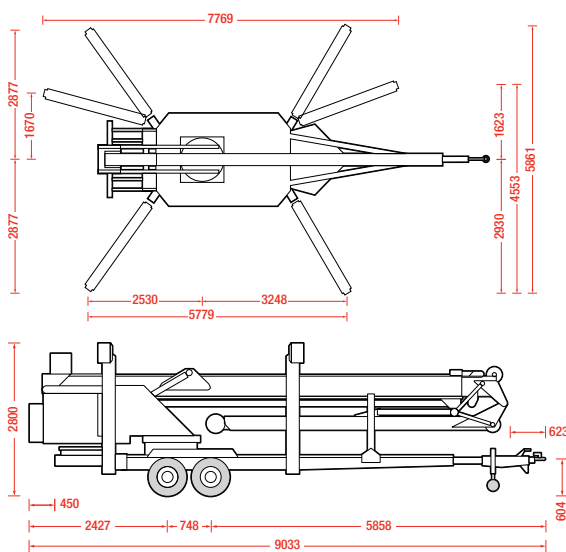
The trailer chassis is self-powered for easy manoeuvrability around site. The self-erecting aluminium boom and 9m fly jib provide a huge 25m working radius, while radio remote control and 360° slewing allow flexible load handling.

Lifting attachments are available including pallet fork and tipping bucket.

**Technical Specifications**

<b>Max capacity</b>	1200kg
<b>Max working radius</b>	25m
<b>Max hook height</b>	29.2m
<b>Derricking angle main boom</b>	0° - 81°
<b>Derricking angle fly jib</b>	0° - 140°
<b>Hook speed</b>	0 - 45m/min
<b>Slewing angle</b>	360° (continuous)
<b>Transport width</b>	2.34m
<b>Transport height</b>	2.8m
<b>Transport length</b>	9.03m
<b>Engine</b>	Yanmar / Honda
<b>Fuel</b>	Diesel / Petrol (LPG option)
<b>Axle load</b>	3.5t
<b>Weight</b>	3490kg
<b>Remote control</b>	Radio remote with feedback

**Technical Data**



**HIRE OR PURCHASE TODAY - CALL OUR SPECIALIST TEAM ON:**

North: +44 (0)161 683 2580 - South: +44 (0)1844 202 071 - Scotland: +44 (0)1698 824444

[www.ggrcladding.com](http://www.ggrcladding.com)