



Technical Specification Sheet

Forklift Multi-Clad

The OKTOPUS® Forklift Multi-Clad gives ultimate control with 180° hydraulic tilt and 90° rotation, ideal for ceiling and wall panel installation.

The integrated hydraulic system of the Forklift Multi-Clad ensures optimum handling of building panels during horizontal wall and ceiling installation. The cladding manipulator can lift horizontal panels up to 12m, vertical panels up to 14m and ceiling panels of up to 8m in length.

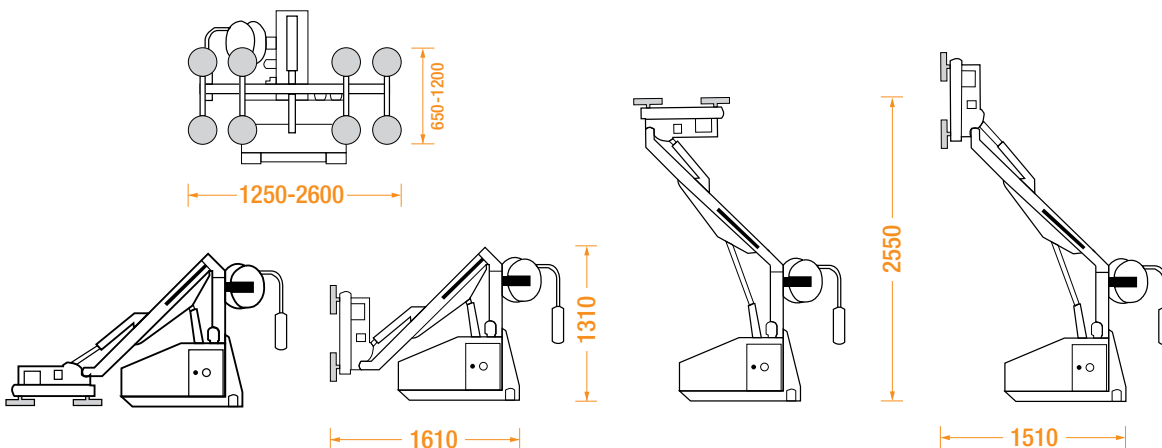
Designed as a forklift attachment, the Forklift Multi-Clad is operated by the forklift/telescope lift operator using a remote control panel and comes complete with dual circuit technology and audio-visual alarm.

Technical Specifications

Typical application	Installation of sandwich panels in industrial, commercial and cold store construction
The building panels to be processed	<ul style="list-style-type: none"> - must be non-porous on the lifting surface - have a clean surface - may not be covered by a protective film
Maximum panel lengths	<ul style="list-style-type: none"> - horizontal: up to 12 metres - vertical: up to 14 metres - roof: n/a - ceiling: up to 8 metres
Safe working load	Up to 400kg
Rotation	90° left and right
Tilt	180°
Weight of device	Approximately 600kg
Control options	Cable - Optional Remote
Power supply	24V Rechargeable Battery
Battery recharge time	10-12 hours
Battery life	8 hours
Vacuum production	Rotary Vane Vacuum Pump
Vacuum pads	Round Cups (ø 250mm) Oval Pads (100 x 320mm)
Optional accessories	Secondary Safety Belts, Radio-Remote Control



Dimensions (all measurements are in mm)



HIRE OR PURCHASE TODAY - CALL OUR SPECIALIST TEAM ON:

North: +44 (0)161 683 2580 - South: +44 (0)1844 202 071 - Scotland: +44 (0)1698 824444