

Technical Specification Sheet

Flexi-Clad

The new Oktopus Flexi-Clad is the perfect all-round cladding and roofing vacuum lifter. Capable of handling roofing panels up to 16 metres, vertical panels up to 18m and horizontal wall panels up to 8m, the versatile Flexi-Clad can be configured to suit different panel lengths and shapes.

Quick and easy to use, the Flexi-Clad features 90° tilt and is ideal for installing composite panels such as Kingspan KS1000, Topdek, Corus, Ward, Trimo, Rockspan and more.

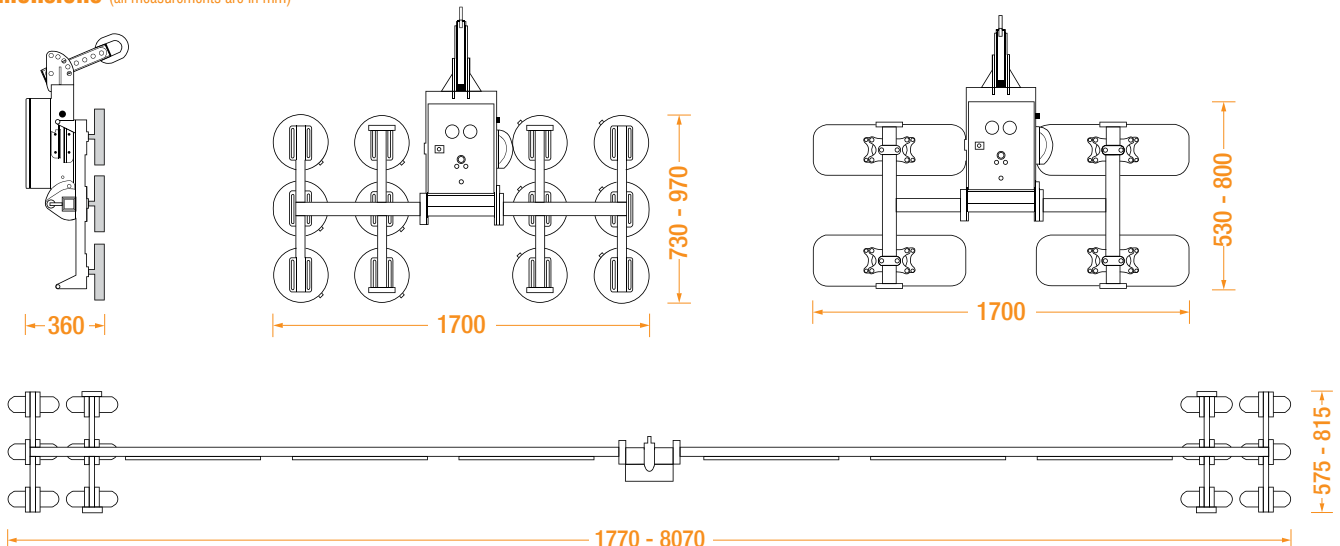
Like all our cladding and roofing lifter range, the Flexi-Clad comes with dual circuit vacuum technology and audio-visual low vacuum alarm to ensure optimum safety. As the official dealer of the Wirth OKTOPUS ® vacuum lifter range, we pride ourselves on delivering a high quality product with first-rate after-care service for all our customers.

Technical Specifications

Typical application	Suitable for the horizontal and vertical installation of cladding panels and roofing panels up to 16 metres
The building panels to be processed	<ul style="list-style-type: none"> - Composite panels (PUR, EPS, mineral wool) - All customary sandwich panels & trapezoid sheet metals - Must be a non-porous and clean lifting surface - May not be covered by protective film
Safe working load	Up to 400kg depending on type and number of pads
Tilt	90°
Maximum panel lengths	Up to 16 metres
Weight of device	125kg to 200kg depending on configuration
Control options	Local control panel
Power supply	24v rechargeable battery
Battery recharge time	4-6 hours
Battery life	10 hours
Vacuum production	2 diaphragm type vacuum pumps
Vacuum pads	<ul style="list-style-type: none"> -Round pads (Ø 250mm) -Oval pads (100mm x 320mm) -Rectangle pads (230mm x 690mm)
Optional accessories	<ul style="list-style-type: none"> - Safety belts - Transport stand



Dimensions (all measurements are in mm)



HIRE OR PURCHASE TODAY - CALL OUR SPECIALIST TEAM ON:

North: +44 (0)161 683 2580 - South: +44 (0)1844 202 071 - Scotland: +44 (0)1698 824444

www.ggrcladding.com